

Department of Engineering
Tim Bryan, P.E., County Engineer

3137 South Liberty Street, Canton, MS 39046
Office (601) 790-2525 FAX (601) 859-3430

MEMORANDUM

August 16, 2021

To: Sheila Jones, Supervisor, District I
Trey Baxter, Supervisor, District II
Gerald Steen, Supervisor, District III
Karl Banks, Supervisor, District IV
Paul Griffin, Supervisor, District V

From: Tim Bryan, P.E., PTOE
County Engineer

Re: Telepak Networks Inc. DBA Cspire Utility Permit
County Road Name, Gluckstadt Road

The Engineering Department recommends approval of permit application for Cspire proposes a directional bore to install fiber optic cable, servicing Fortenberry & Ballard, along Gluckstadt Road onto private property.

SHEILA JONES
District One

TREY BAXTER
District Two

GERALD STEEN
District Three

KARL BANKS
District Four

PAUL GRIFFIN
District Five

Fortenberry & Ballard

Revised: 2/14/2019



PERMIT APPLICATION FOR THE CONSTRUCTION OR ADJUSTMENT OF A UTILITY WITHIN COUNTY ROAD RIGHT-OF-WAY

Utility Information: Utility Name: Telepak Networks, Inc dba Cspire
Address: 1019 Highland Col. Pkwy City/State/Zip: Ridgeland, MS 39157
Contact Person: Jennifer A. Childs Contact's Phone: 601.624.7639

Project Information: County Road Name: Gluckstadt Rd.
(If located within more than one road right-of-way, use Appendix 1 for additional descriptions)

Beginning Location: Gluckstadt Rd. Ending Location: Gluckstadt Rd

Length of Project: 1030 ft. Section: 21 Township: 8N Range: 2E

Description of Work: Cspire proposes a directional bore to install fiber optic cable, servicing Fortenberry & Ballard, along Gluckstadt Rd., onto private property.

Check Box if Appendix 1 is to be included as a part of this Application

Whereas the above stated Utility makes application to the Madison County Board of Supervisors for a Construction Permit. Attached hereto are drawings and plans for the construction of the above facilities located within Madison County owned public rights-of-way. Once stamped by the Madison County Engineering Department, these plans shall not be changed or altered without written approval of the County Engineer, or his representative. A copy of the approved permit and plans shall be on-site at all times during construction.

The Applicant Utility shall comply with all policies, procedures and construction practices as outlined in A Policy for The Accommodation of Utility Facilities within the Right-of-Way of all Public County Roads (hereinafter referred to as the "Policy"), as adopted on November 1, 2005, by the Madison County Board of Supervisors, and which is hereby made a part of this Application Agreement.

If facilities are to be located within the Rights-of-Way of the County-Federal or State Aid System, Applicant Utility also agrees to comply with applicable provisions of S.O.P. No. SA 11-2-8, Accommodation of Utilities on Rights-of-Way, issued by the State Aid Engineer and dated July 1, 2005.

The Applicant Utility understands and agrees that, except as herein granted, no right, title, claim, or easement to said road right-of-way is granted by the issuance of this permit. If this Utility is listed in the general provisions of the Policy, it will be adjusted to comply with same without cost to the County, unless the variance from the Policy has been approved by the granting of the Permit pursuant to this Application.

The Applicant Utility further understands that the Utility's engineering, plant, or other personnel will be responsible for the staking and construction supervision of the work set out above and as shown on the attached plans. If work impacts traffic in any way, the appropriate traffic control shall be installed per the Manual of Uniform Traffic Control Devices, Latest Edition.

The Applicant Utility understands that the County Engineer, or his representative, may issue a Stop Work Order at any time if it is deemed that site conditions are not suitable for construction or if any of the requirements of this permit are not being met.

Many County Roads have variable Rights-of-Way and/or no Right-of-Way at all and are maintained under a Prescriptive Easement. It is the sole responsibility of the Applicant Utility to verify the existence and limits of public rights-of-way. If none exists, it is the

responsibility of the Applicant Utility to acquire an easement for their Facilities from the applicable property owner(s). Madison County in no way verifies the limits of Right-of-Way as shown on the permit application.

The Applicant Utility shall be responsible for all future maintenance and repair of the facilities installed under this permit. The Applicant Utility shall make future adjustments to, or relocate, the facilities located within road or highway right-of-way when required for road or highway widening or other road or highway construction at no cost to Madison County. The Applicant Utility shall relocate said utilities within sixty (60) days of notification by County by registered mail, return receipt requested, unless otherwise designated by the County Engineer. Further, any maintenance, repair, or construction shall be done in such a manner as to occasion no unreasonable interference with the normal flow and safety to traffic and at the expense of the utility company. When reasonable care has been taken to locate said utility facilities within the right-of-way, the Applicant Utility understands that any damages caused by routine maintenance and construction by County forces shall be borne by the Applicant Utility.

The Applicant Utility further agrees to indemnify and hold Madison County harmless for any and all claims, accidents, damages, liabilities and expenses occasioned wholly, or in part, by any act or omission of applicant, its agents or employees. In case County shall, without fault on its own part, be made a party to any litigation commenced by or against applicant, then applicant shall protect and hold County harmless, and shall pay all costs, expenses and reasonable attorney's fees incurred or paid by County in connection with said litigation.

All underground facilities shall be installed at a depth equal to or greater than 48" below the lowest adjacent grade.

All pipes carrying liquid shall be encased under County maintained roads.

WITNESS the signature of the Applicant this the 16th day of August, 2021.

By: Jennifer Aaron Childs
(Applicant Signature)

Title: DSP Permit Specialist

Note: Applicant must be an employee of the Utility named in this application. The Madison County Board of Supervisors will not recognize a Contractor, Subcontractor, Agent, or Consulting Engineer as the Applicant. Utility Company shall be fully responsible for all work performed under this application.

I, or my authorized representative, have reviewed this application and determined that the drawing, sketches, and plans submitted by the Applicant meet the requirements of *A Policy for The Accommodation of Utility Facilities within the Right-of-Way of all Public County Roads*.

APPROVED

By: **By timothy.bryan at 11:29 am, Sep 01, 2021**

Tim Bryan, P.E.
County Engineer

AGREED TO AND APPROVED BY:

Madison County Board President

Date: _____

ENTERED INTO THE MINUTES OF THE BOARD OF SUPERVISORS OF MADISON COUNTY, MISSISSIPPI ON THIS

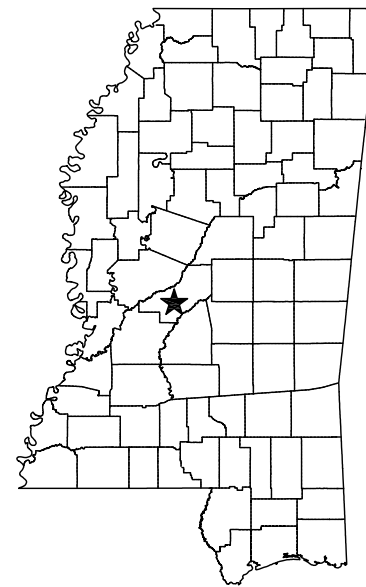
_____ DAY OF _____, 20_____.



ASBUILT INFORMATION

FIELD ENGINEER: NAME: _____
PROJECT MANAGER: NAME: _____
CONSTRUCTION: NAME: _____
SUB CONTRACTOR: NAME: _____
INSPECTOR: NAME: _____
 PHONE#: _____

CONSTRUCTION COMMENCED: DATE: _____
CONSTRUCTION COMPLETED: DATE: _____
FIBER INSTALLED: DATE: _____
FINAL CLEANUP: DATE: _____

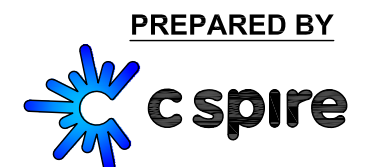


<<	PERMITS	>>

COUNTY:	MADISON	

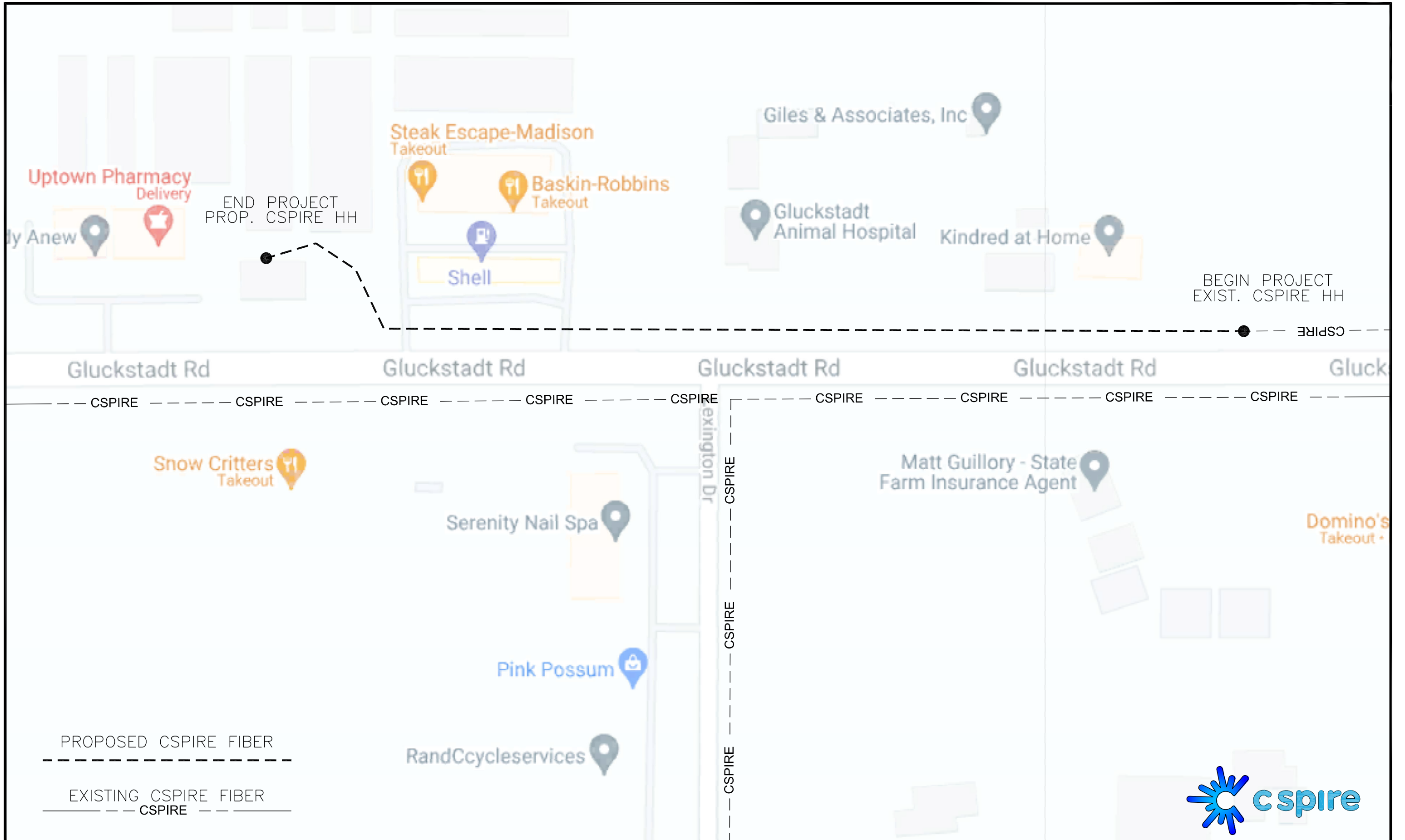
SBI.OSP.64233
CS.OSFPMS-MADCTY.MS

PROPOSED FIBER BUILD
SBI-Fortenberry & Ballard PC Madison
8-10-21



1018 HIGHLAND COLONY PARKWAY
SUITE 340
RIDGELAND, MISSISSIPPI 39157
1-800-342-3716

ROUTE MAP

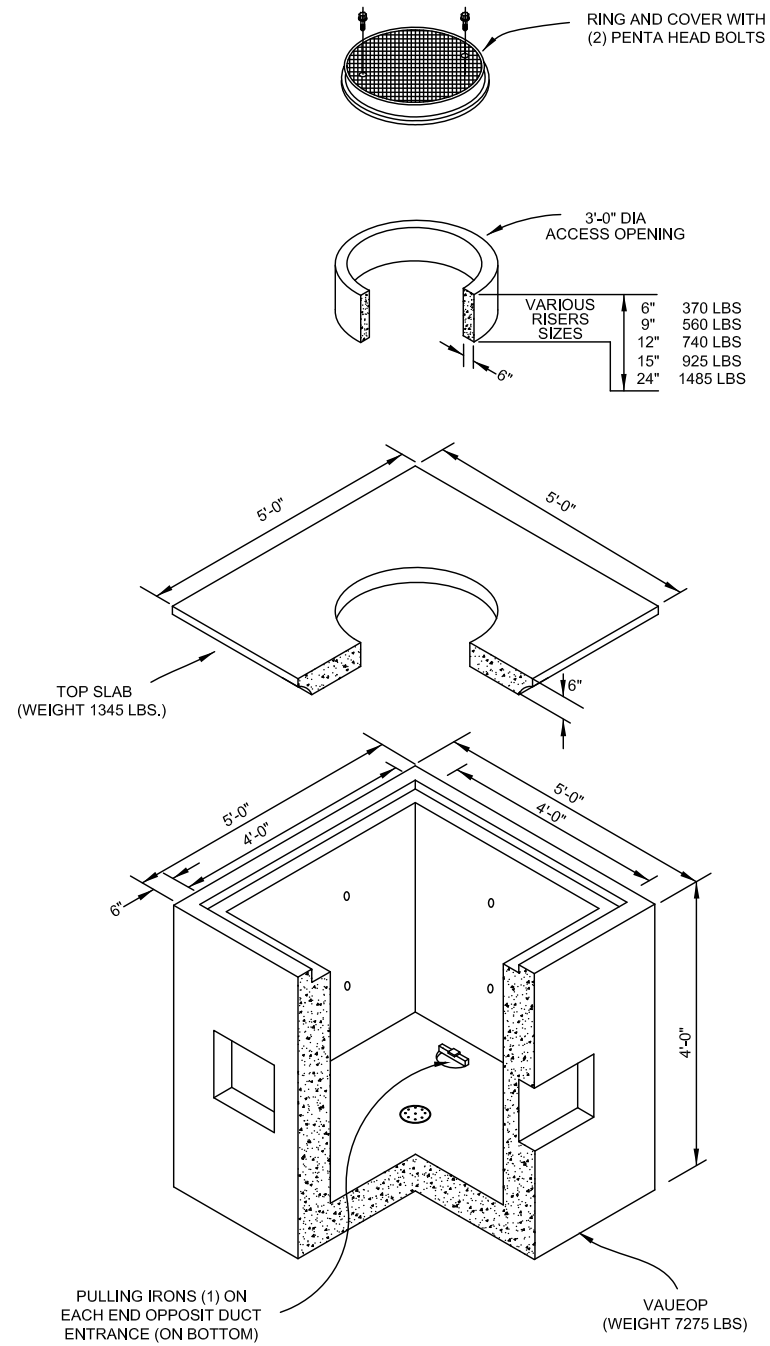


SBI-Fortenberry & Ballard PC Madison

CAPITOL CONCRETE PRODUCTS, INC

FIBER OPTIC/LIGHTGUIDE
SPLICE VAUEOP
4'-0"X4'-0"X4'-0"

GRADE 60 REINFORCEMENT
4500 PSI CONCRETE
REINFORCEMENT FOR
AASHTO M-20 LOADING



FILE NAME T-04

PROJECT CITY -

FULL FILENAME
T-04.dwg

DATE	DESCRIPTION
SHEET 4	DRAWN BY
SCALE 1"=50'	PAGE 4

REVISIONS

REV.	DESCRIPTION	INITIALS	DATE

MATERIAL LIST

ITEM	DESCRIPTION	QUANTITY
1	TOTAL CABLE FT.	0'
2	DIR-BORE CABLE	0'
3	PULL CABLE	0'
4	BURIED SLACK	0'
5	1.25" HDPE	0'
6	5" HDPE CASING	0'
7	HANDHOLES	0
8	MANHOLES	0
9	SPLICE CLOSURE	0
10	H-POSTS	0
11	GROUND RODS	0
12	AERIAL CABLE	0'
13	RISERS	0
14		

PREPARED BY



PREPARED FOR



MAP NUMBER

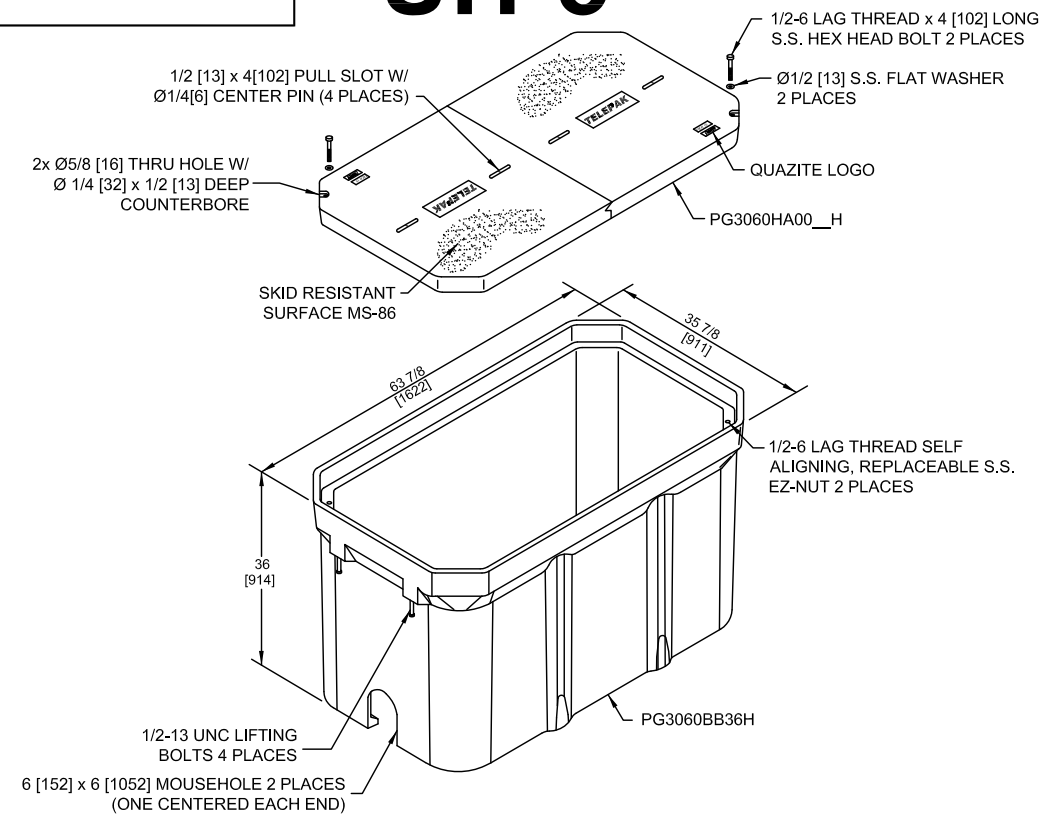
	4	

DISCLAIMER

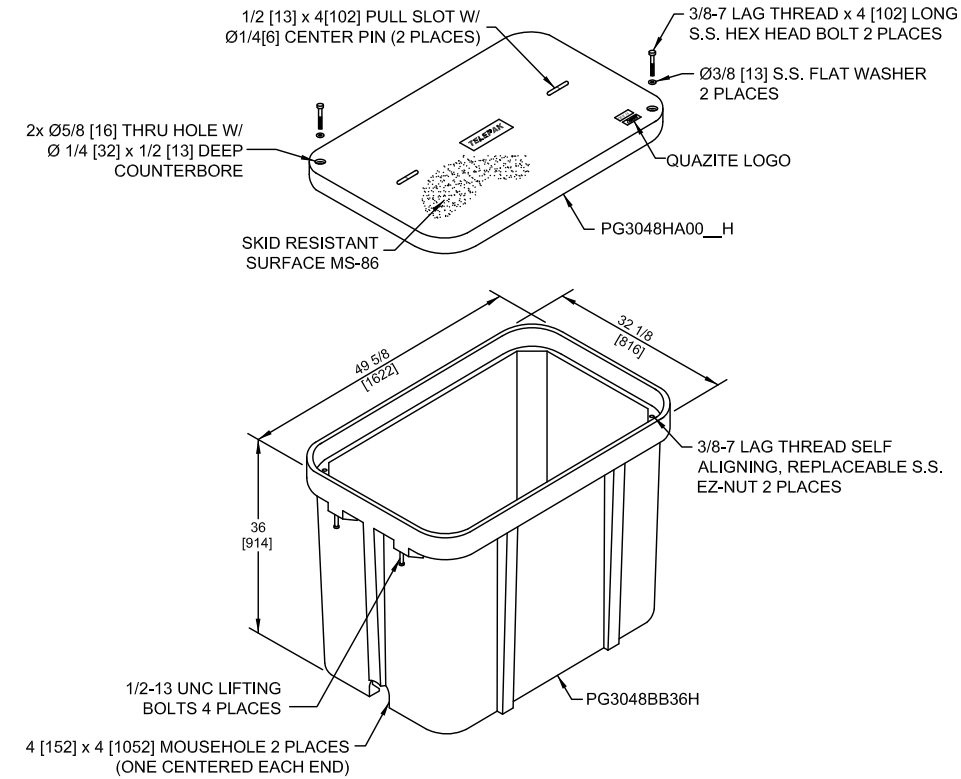
EXCEPT AS MAY BE OTHERWISE PROVIDED BY CONTRACT, THESE DRAWINGS AND SPECIFICATIONS SHALL REMAIN THE PROPERTY OF CSPIRE FIBER. BEING ISSUED IN STRICT CONFIDENCE AND SHALL NOT BE REPRODUCED, COPIED, OR USED FOR ANY PURPOSE WITHOUT SPECIFIC WRITTEN PERMISSION.

NOTIFY ALL UTILITIES 72 HOURS PRIOR TO CONSTRUCTION ACTIVITY.
ONE CALL SYSTEM © 1-800-227-6477

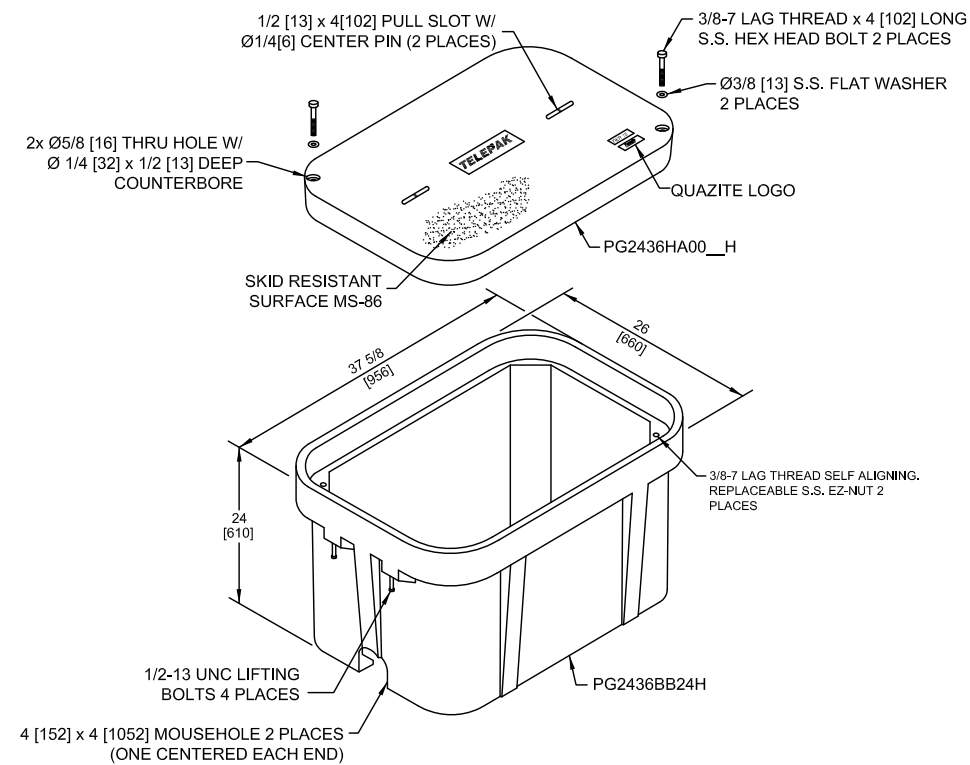
UH-5



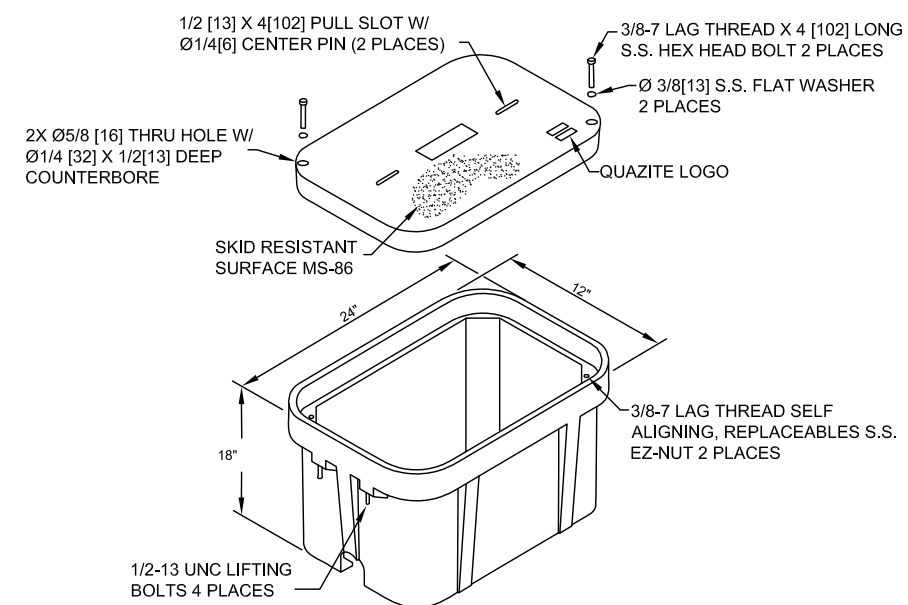
UH-4



UH-3



UH-2



FILE NAME T-05

PROJECT CITY -

FULL FILENAME
T-05.dwg

DATE CONSTRUCTION

SHEET 5 DRAWN BY

SCALE 1"=50' PAGE 5

REVISIONS

REV.	DESCRIPTION	INITIALS	DATE

MATERIAL LIST

ITEM	DESCRIPTION	QUANTITY
1	TOTAL CABLE FT.	0'
2	DIR-BORE CABLE	0'
3	PULL CABLE	0'
4	BURIED SLACK	0'
5	1.25" HDPE	0'
6	5" HDPE CASING	0'
7	HANDHOLES	0
8	MANHOLES	0
9	SPLICE CLOSURE	0
10	H-POSTS	0
11	GROUND RODS	0
12	AERIAL CABLE	0'
13	RISERS	0
14		

PREPARED BY



PREPARED FOR



MAP NUMBER

5

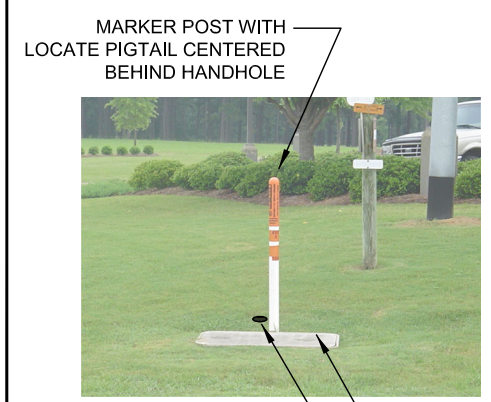
DISCLAIMER

EXCEPT AS MAY BE OTHERWISE PROVIDED BY CONTRACT, THESE DRAWINGS AND SPECIFICATIONS SHALL REMAIN THE PROPERTY OF CSPiRE FIBER. BEING ISSUED IN STRICT CONFIDENCE AND SHALL NOT BE REPRODUCED, COPIED, OR USED FOR ANY PURPOSE WITHOUT SPECIFIC WRITTEN PERMISSION.

NOTIFY ALL UTILITIES 72 HOURS PRIOR TO CONSTRUCTION ACTIVITY.
ONE CALL SYSTEM © 1-800-227-6477



TYPICAL HAND HOLE INSTALLATION



AT EVERY HANDHOLE LOCATION WITH A MARKER POST, 1.25" HDPE SHOULD EXTEND 48" INTO MARKER POST. HDPE SHOULD ALSO EXTEND 6" ABOVE GRAVEL AT THE BOTTOM OF THE HANDHOLE.

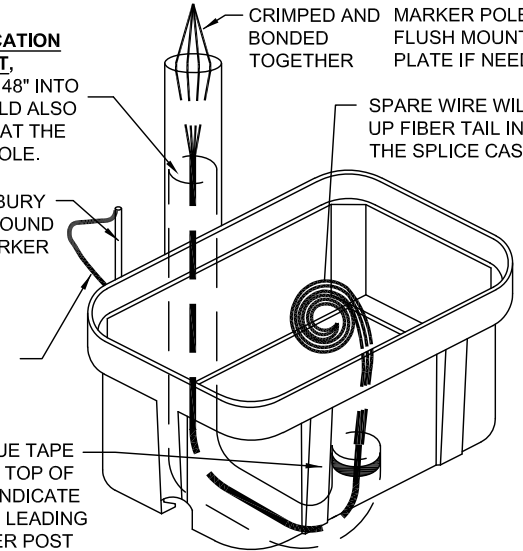
AT EVERY TEST STATION, BURY GROUND ROD 6" BELOW GROUND AND 6" TO THE LEFT OF MARKER POST

CRIMPED AND BONDED TOGETHER MARKER POLE OR FLUSH MOUNT FINK PLATE IF NEEDED

SPARE WIRE WILL GO UP FIBER TAIL INTO THE SPLICE CASE

BLACK WIRE BONDED TO 8' GROUND ROD **AT TEST STATIONS ONLY**

PLACE BLUE TAPE NEAR THE TOP OF HDPE TO INDICATE THE DUCT LEADING TO MARKER POST



8' x 5/8" GROUND ROD 6" BELOW GROUND AND 6" TO THE LEFT OF MARKER POST OUTSIDE OF HANDHOLE

PIGTAIL INSTALLED IN H/H WITH LONG WIRES (CONNECTORIZED ENDS) FED UP INTO MARKER POST AND SHORT WIRE TO GROUND ROD

- NOTES:**
1. THIS ASSEMBLY IS RATED FOR A STATIC DESIGN LOAD OF 15,000 LBS. [66,720 N] OVER A 10 [254] X 10 [254] AREA AND MUST PASS A MIN. STATIC TEST LOAD OF 22,500 LBS. [100,085 N].
 2. ALL ENCLOSURES, BOXES AND COVERS, ARE REQUIRED TO CONFORM TO ALL TEST PROVISIONS OF ANSI/SCTE 77 2007 "SPECIFICATION FOR UNDERGROUND ENCLOSURE INTEGRITY" AS MANUFACTURED BY QUAZITE OR EQUIVALENT WITH TELEPAK NETWORK'S ENGINEER'S SIGNED APPROVAL. THE COVERS MUST BE RATED FOR TIER 15 APPLICATIONS AND BOXES RATED FOR TIER 22 APPLICATIONS AND IN NO ASSEMBLY CAN THE COVER DESIGN LOAD EXCEED THE DESIGN LOAD OF THE BOX. ALL COMPONENTS IN AN ASSEMBLY (BOX & COVER) ARE MANUFACTURED USING MATCHED SURFACE TOOLING. ALL COVERS ARE REQUIRED TO HAVE A MINIMUM COEFFICIENT OF FRICTION OF 0.50 IN ACCORDANCE WITH ASTM C 1028 AND HAVE TIER 15 AND "TELEPAK NETWORKS 800-342-3716" EMBOSSED ON THE TOP SURFACE. ALL COVER BOLTS TO BE SELF-CLEANING AUGER BOLT ASSEMBLIES.

PIGTAILS ARE TO BE INSTALLED AT TEST STATION (T.S.) ONLY.

HANDHOLES ARE TO BE INSTALLED A MINIMUM OF THREE FEET FROM ANY UTILITY OR POWER POLE.

BOXES (Nestable)

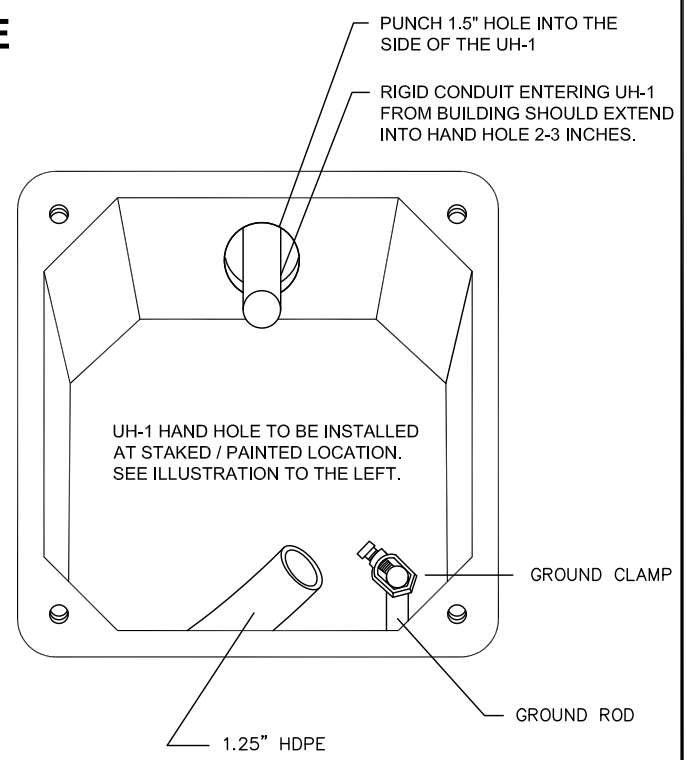
DESCRIPTION	PART NO.	WEIGHT	DESIGN/TEST LOAD#
UH-5 30x60x36	PG3060Z501	933# 423KG.	15'000 LBS
UH-4 30x48x36	PG3048Z579	563# 255KG.	15'000 LBS
UH-3 24x36x24	PG2436Z905	284# 129KG.	15'000 LBS

DIMENSIONS ARE IN INCHES OR MILLIMETERS IN BRACKETS UNLESS OTHERWISE NOTED.

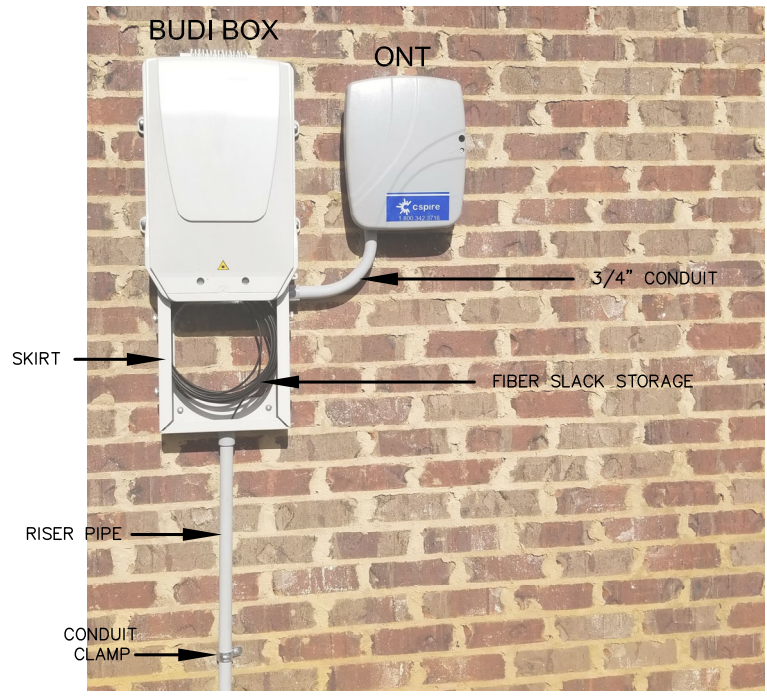
TYPICAL UH-1 / UH-2 HAND HOLE INSTALLATION PROCEDURES AT BUILDING ENTRIES



UH-1 / UH-2 INSTALLATION LOCATION WILL BE MARKED BY A STAKE AND/OR PAINT. CSPIRE/OSP WILL INSTALL CONDUIT 8" UNDERGROUND TO DESIRABLE UH-1 LOCATION.



TYPICAL BUDI BOX, SKIRT & ONT COMBO OUTDOOR INSTALLATION PROCEDURES AT BUILDING ENTRIES

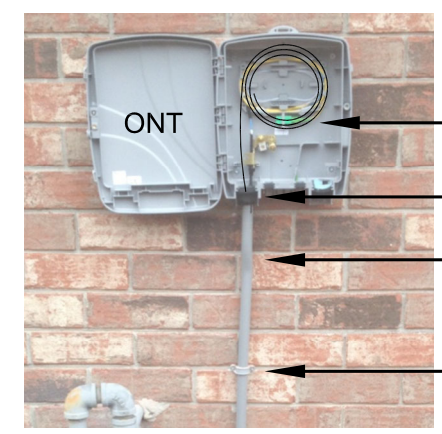


1. PLEASE MOUNT BUDI BOX 36" OFF THE GROUND UNLESS OTHERWISE STATED ON THE DRAWINGS.
2. BUDI BOX & ONT INSTALLATION LOCATION WILL BE SHOWN ON THE CONSTRUCTION DRAWINGS. PLEASE DO NOT USE PICTURES AS A HEIGHT INDICATOR FOR THE INSTALLATION.
3. MOUNT 3' RISER PIPE TO THE WALL USING SHOWN CONDUIT STRAPS.
4. JOIN RISER PIPE TO SKIRT AT SHOWN LOCATION & MOUNT BUDI BOX & SKIRT TO WALL.
5. USING A 3/4" SWEEPING 90, CONNECT SKIRT TO ONT AND MOUNT ONT TO WALL.
6. PLACE FIBER FROM DUCT INTO RISER PIPE AND INTO SKIRT LEAVING A 5' SLACK LOOP.

BUDI BOX, SKIRT & ONT COMBO OUTDOOR INSTALLATION COMPLETED INSTALL



TYPICAL ONT OUTDOOR INSTALLATION PROCEDURES AT BUILDING ENTRIES



1. PLEASE MOUNT ONT 48" OFF THE GROUND UNLESS OTHERWISE STATED ON THE DRAWINGS.
2. ONT & FDP INSTALLATION LOCATION WILL BE SHOWN ON THE CONSTRUCTION DRAWINGS. PLEASE DO NOT USE PICTURES AS A HEIGHT INDICATOR FOR THE INSTALLATION. MOUNT ONT AS CLOSE TO THE POWER METER AS POSSIBLE
3. DUCT PLACED BY DIRECTIONAL BORING SHOULD MEET THE RISER PIPE UNDERGROUND NEAR THE BASE OF THE WALL. A 4" GAP BETWEEN THE DUCT AND THE RISER PIPE IS ACCEPTABLE.
4. MOUNT 4' RISER PIPE TO THE WALL USING SHOWN CONDUIT CLAMPS.
5. JOIN RISER PIPE TO ONT AT SHOWN LOCATION & MOUNT ONT TO THE WALL.
6. PLACE FIBER FROM DUCT INTO RISER PIPE AND INTO ONT.
7. LEAVE 5' OF SLACK INSIDE OF THE ONT. SLACK SHOULD BE LOOSELY STORED AND NOT LOOPED TIGHTLY.

FILE NAME T-06

PROJECT CITY -

FULL FILENAME T-06.dwg

DATE	DESCRIPTION
03-10-16	CONSTRUCTION

SHEET	DRAWN BY
6	J.BUSBY

SCALE	PAGE
1"=50'	6

REVISIONS

REV.	DESCRIPTION	INITIALS	DATE

MATERIAL LIST

ITEM	DESCRIPTION	QUANTITY
1	TOTAL CABLE FT.	0'
2	DIR-BORE CABLE	0'
3	PULL CABLE	0'
4	BURIED SLACK	0'
5	1.25" HDPE	0'
6	5" HDPE CASING	0'
7	HANDHOLES	0
8	MANHOLES	0
9	SPLICE CLOSURE	0
10	H-POSTS	0
11	GROUND RODS	0
12	AERIAL CABLE	0'
13	RISERS	0
14		

PREPARED BY

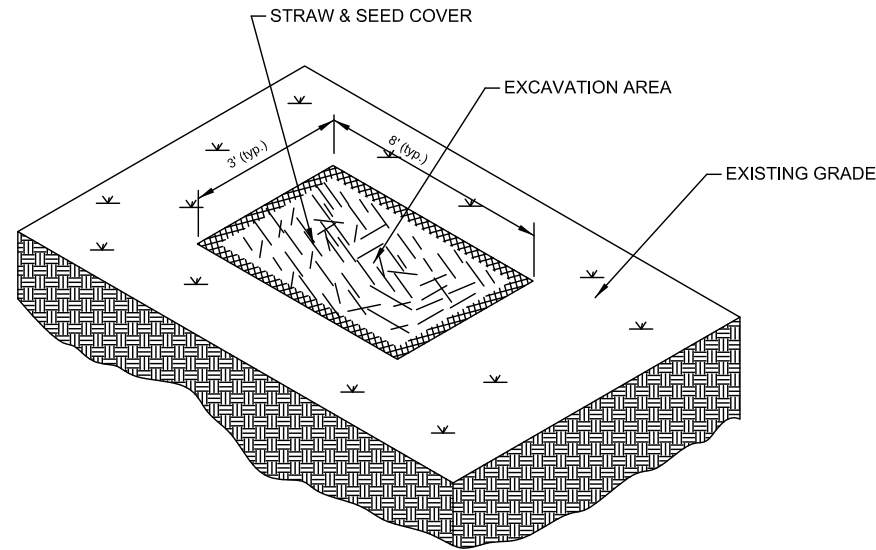
PREPARED FOR

MAP NUMBER

6

DISCLAIMER

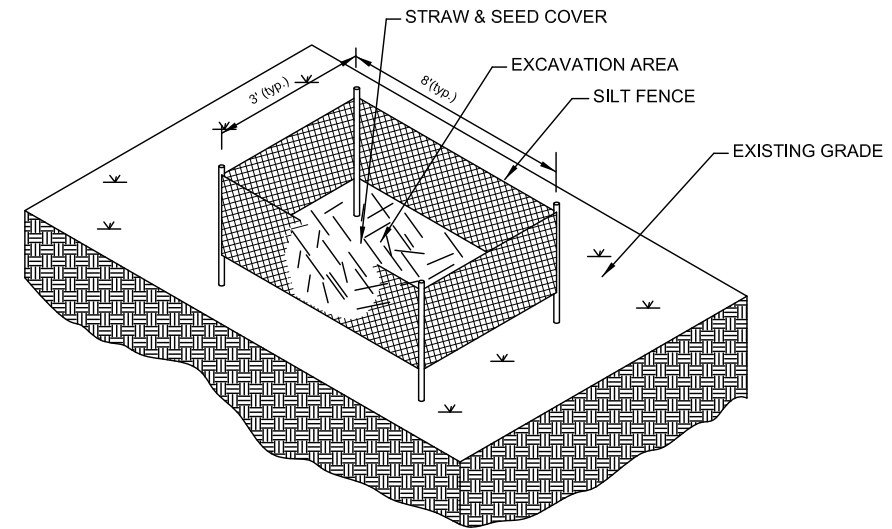
EXCEPT AS MAY BE OTHERWISE PROVIDED BY CONTRACT, THESE DRAWINGS AND SPECIFICATIONS SHALL REMAIN THE PROPERTY OF CSPIRE FIBER. BEING ISSUED IN STRICT CONFIDENCE AND SHALL NOT BE REPRODUCED, COPIED, OR USED FOR ANY PURPOSE WITHOUT SPECIFIC WRITTEN PERMISSION.



TYPICAL EROSION DETAIL #1

NOTE TO CONSTRUCTION:

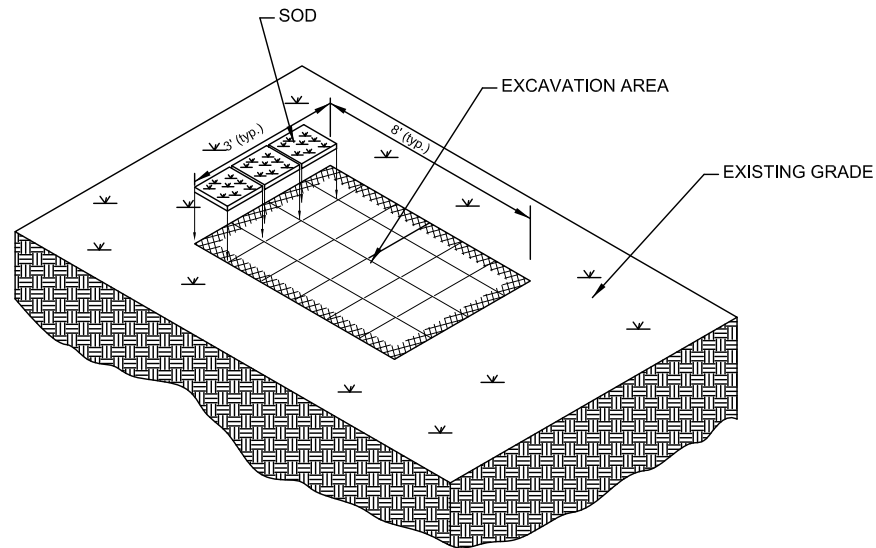
WHERE APPLICABLE
RE-COMPACT SOIL AROUND
HANDHOLES AND BOREPITS
USE HAY AND SEED COVER
FOR EROSION CONTROL.



TYPICAL EROSION DETAIL #2

NOTE TO CONSTRUCTION:

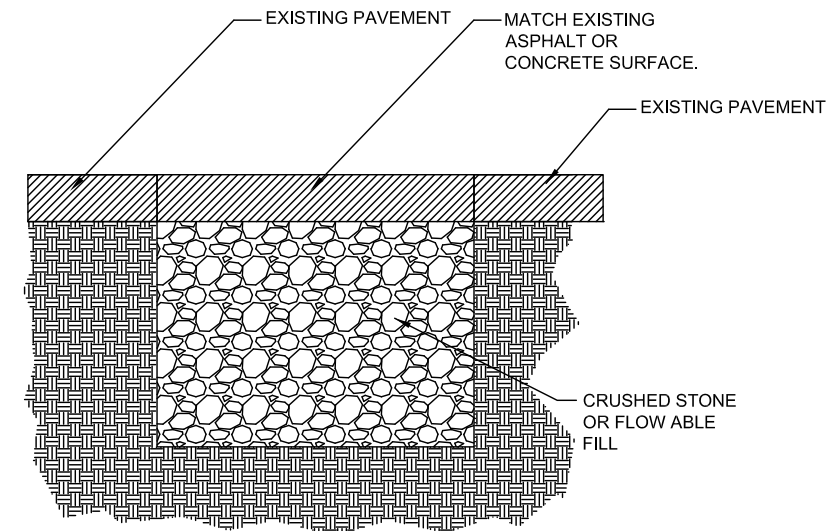
FOR HIGHER DEGREE OF SLOPE
RE-COMPACT SOIL AROUND
HANDHOLES AND BOREPITS. USE
HAY, SEED AND SILT FENCES FOR
EROSION CONTROL.



TYPICAL EROSION DETAIL #3

NOTE TO CONSTRUCTION:

FOR EROSION CONTROL IN
WELL MANICURED AREAS
RE-COMPACT SOIL AROUND
HANDHOLES AND BOREPITS.
RE-SOD TO MATCH EXISTING
GROUND COVER.



TYPICAL PAVEMENT REPAIR

DETAIL #4

NOTE TO CONSTRUCTION:

RE-COMPACT EFFECTED
AREAS WITH CRUSHED
STONE OR FLOW ABLE FILL.
MATCH EXISTING PAVEMENT
SURFACE.



FILE NAME T-07

PROJECT CITY -

FULL FILENAME
T-07.dwg

DATE	DESCRIPTION CONSTRUCTION
------	-----------------------------

SHEET 7	DRAWN BY
------------	----------

SCALE 1"=50'	PAGE 7
-----------------	-----------

REVISIONS

REV.	DESCRIPTION	INITIALS	DATE

MATERIAL LIST

ITEM	DESCRIPTION	QUANTITY
1	TOTAL CABLE FT.	0'
2	DIR-BORE CABLE	0'
3	PULL CABLE	0'
4	BURIED SLACK	0'
5	1.25" HDPE	0'
6	5" HDPE CASING	0'
7	HANDHOLES	0
8	MANHOLES	0
9	SPLICE CLOSURE	0
10	H-POSTS	0
11	GROUND RODS	0
12	AERIAL CABLE	0'
13	RISERS	0
14		

PREPARED BY



PREPARED FOR



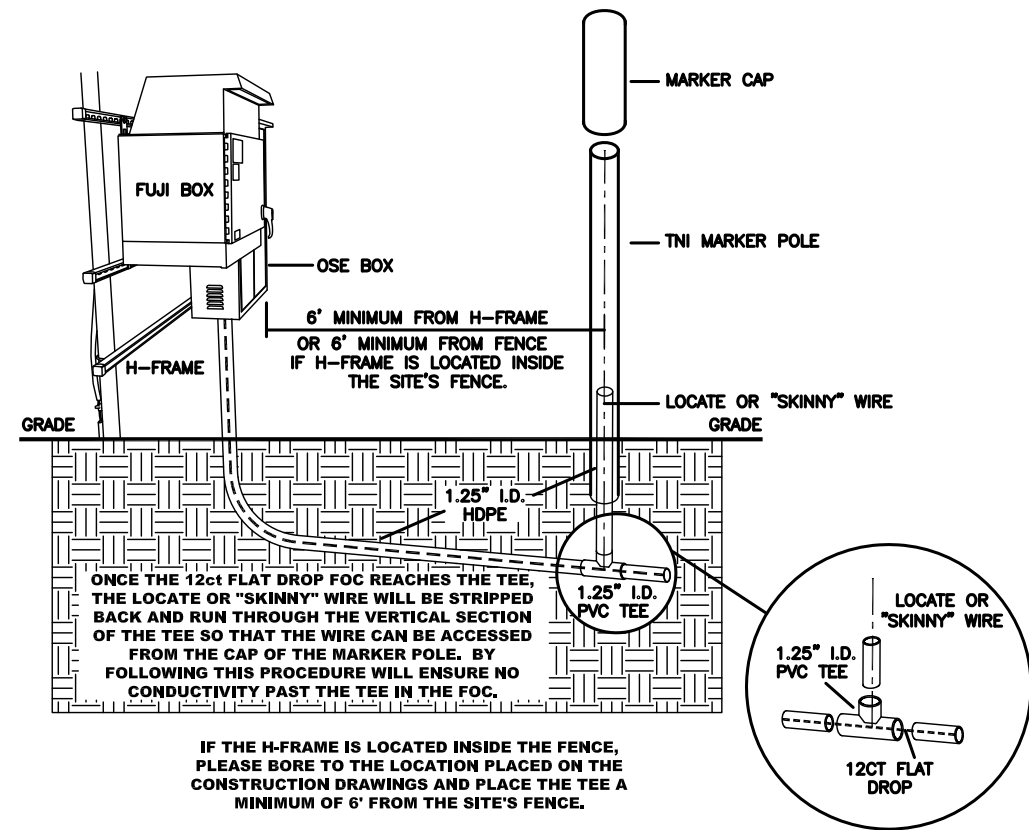
MAP NUMBER

	7	
--	---	--

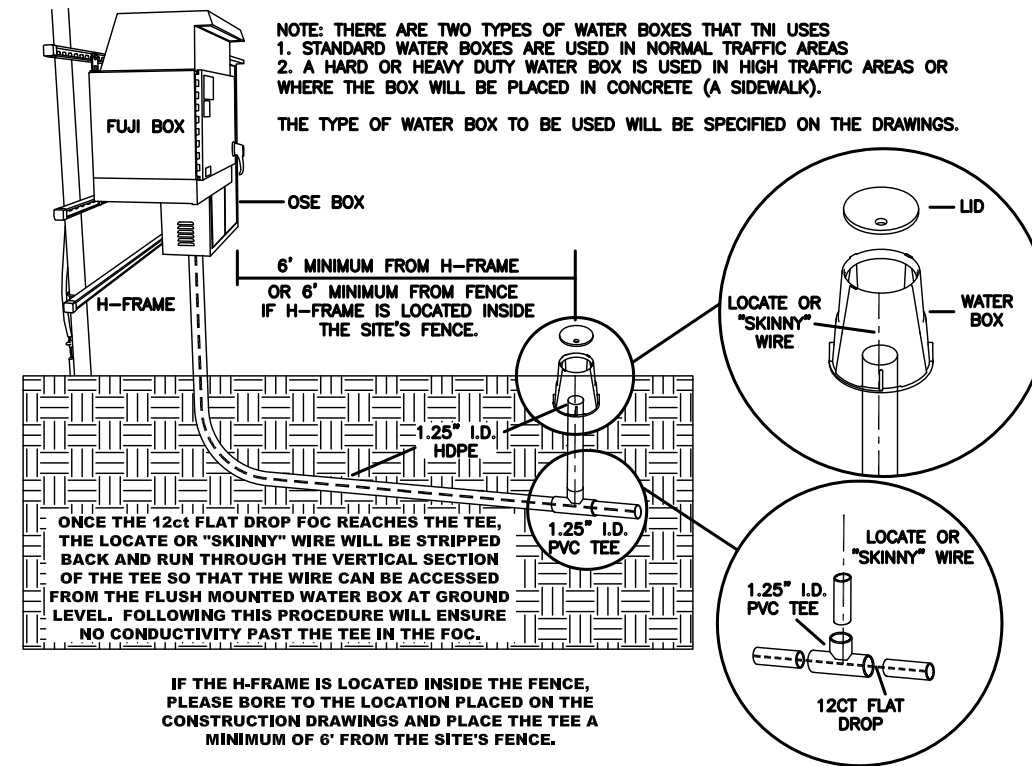
DISCLAIMER

EXCEPT AS MAY BE OTHERWISE PROVIDED BY CONTRACT, THESE DRAWINGS AND SPECIFICATIONS SHALL REMAIN THE PROPERTY OF CSPIRE FIBER. BEING ISSUED IN STRICT CONFIDENCE AND SHALL NOT BE REPRODUCED, COPIED, OR USED FOR ANY PURPOSE WITHOUT SPECIFIC WRITTEN PERMISSION.

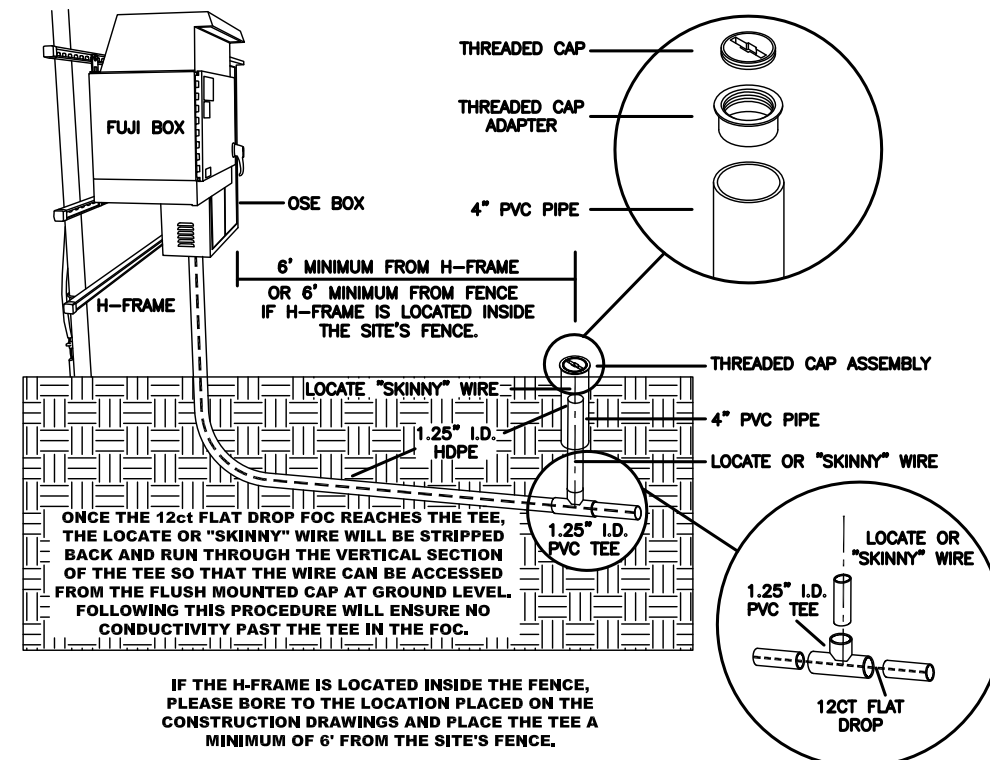
DIELECTRIC TEST STATION (DTS) TYPICALS



FLUSH MOUNTED WATER BOX INSTALLATION OPTION TWO



THREADED PVC FLUSH MOUNTED ACCESS CAP OPTION THREE



FILE NAME T-08

PROJECT CITY -

FULL FILENAME
T-08.dwg

DATE DESCRIPTION
CONSTRUCTION

SHEET 8 DRAWN BY

SCALE PAGE
1"=50' 8

REVISIONS

REV.	DESCRIPTION	INITIALS	DATE

MATERIAL LIST

ITEM	DESCRIPTION	QUANTITY
1	TOTAL CABLE FT.	0'
2	DIR-BORE CABLE	0'
3	PULL CABLE	0'
4	BURIED SLACK	0'
5	1.25" HDPE	0'
6	5" HDPE CASING	0'
7	HANDHOLES	0
8	MANHOLES	0
9	SPLICE CLOSURE	0
10	H-POSTS	0
11	GROUND RODS	0
12	AERIAL CABLE	0'
13	RISERS	0
14		

PREPARED BY



PREPARED FOR



MAP NUMBER

8

DISCLAIMER

EXCEPT AS MAY BE OTHERWISE PROVIDED BY CONTRACT, THESE DRAWINGS AND SPECIFICATIONS SHALL REMAIN THE PROPERTY OF CSPiRE FIBER. BEING ISSUED IN STRICT CONFIDENCE AND SHALL NOT BE REPRODUCED, COPIED, OR USED FOR ANY PURPOSE WITHOUT SPECIFIC WRITTEN PERMISSION.

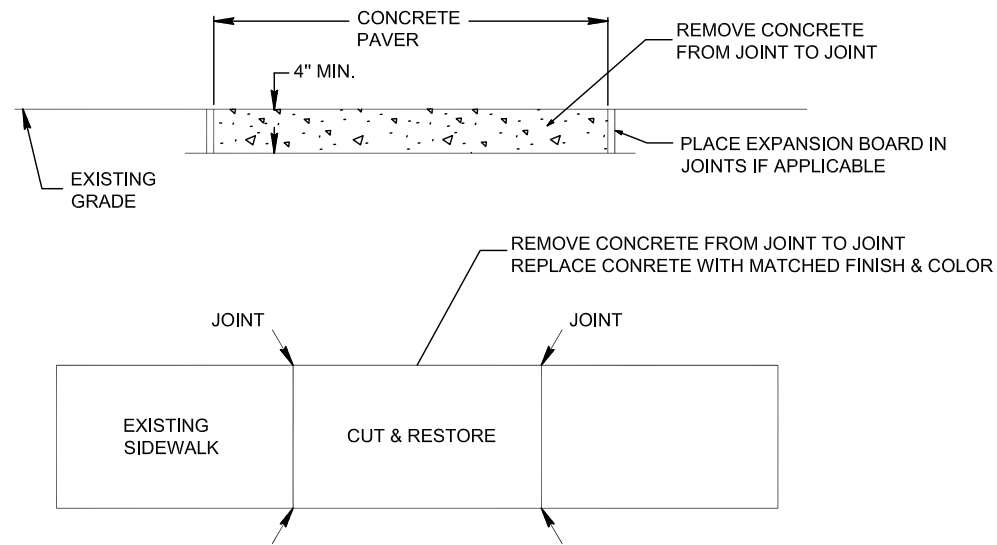
NOTIFY ALL UTILITIES 72 HOURS PRIOR TO CONSTRUCTION ACTIVITY.
ONE CALL SYSTEM © 1-800-227-6477



SIDEWALK CUT & RESTORE TYPICAL DETAIL

SIDEWALK MUST BE ADA COMPLIANT WHERE APPLICABLE

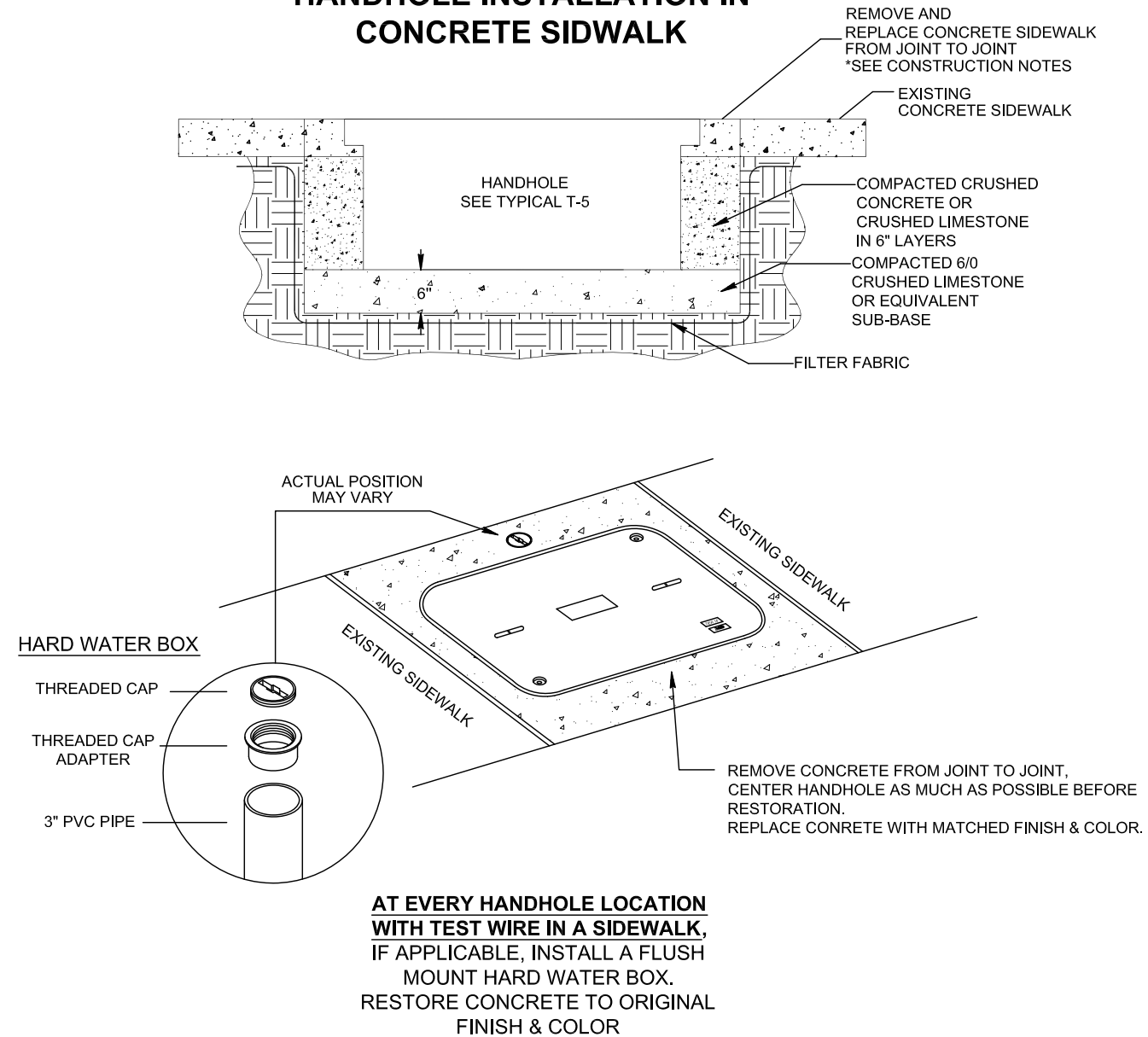
TYPICAL DETAIL "A" CONCRETE CUT & RESTORE REPLACEMENT



CONSTRUCTION NOTES:

1. PROVIDE BARRIERS AND TRAFFIC CONTROL PER MUTCD REV.3 OR NEWER.
2. CUT & RESTORE AREAS SHALL BE RETURNED TO ORIGINAL, OR BETTER CONDITION.
3. SIDEWALKS THAT HAVE EXPANSION BOARD IN USE IN ADJACENT AREAS SHALL BE RESTORED WITH EXPANSION BOARD.
4. EXPOSED AGGREGATE FINISHED SIDEWALKS SHALL BE RESTORED WITH SAME FINISH.
5. ENSURE FINISH IS SLIP RESISTANT.
6. BRICK SIDEWALKS SHALL BE RESTORED TO THE SAME FINISH.
7. ENSURE FLUSH MOUNT TEST STATIONS DO NOT PRESENT A TRIP HAZARD.
8. COVER CONCRETE FOR A MINIMUM OF 12 HOURS PRIOR TO REMOVING PEDESTRIAN BARRIERS.
9. RESTORATION AREA MUST BE RESTORED TO AN OPERATIONAL SIDEWALK PRIOR TO CLOSING ANY CONSTRUCTION PERMITS.

TYPICAL DETAIL "B" HANDHOLE INSTALLATION IN CONCRETE SIDEWALK



FILE NAME T-09

PROJECT CITY -

FULL FILENAME
T-09.dwg

DATE CONSTRUCTION

SHEET 9 DRAWN BY

SCALE 1"=50' PAGE 9

REVISIONS

REV.	DESCRIPTION	INITIALS	DATE

MATERIAL LIST

ITEM	DESCRIPTION	QUANTITY
1	TOTAL CABLE FT.	0'
2	DIR-BORE CABLE	0'
3	PULL CABLE	0'
4	BURIED SLACK	0'
5	1.25" HDPE	0'
6	5" HDPE CASING	0'
7	HANDHOLES	0
8	MANHOLES	0
9	SPLICE CLOSURE	0
10	H-POSTS	0
11	GROUND RODS	0
12	AERIAL CABLE	0'
13	RISERS	0
14		

PREPARED BY



PREPARED FOR



MAP NUMBER

9

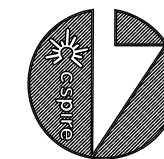
DISCLAIMER

EXCEPT AS MAY BE OTHERWISE PROVIDED BY CONTRACT, THESE DRAWINGS AND SPECIFICATIONS SHALL REMAIN THE PROPERTY OF CSPIRE FIBER. BEING ISSUED IN STRICT CONFIDENCE AND SHALL NOT BE REPRODUCED, COPIED, OR USED FOR ANY PURPOSE WITHOUT SPECIFIC WRITTEN PERMISSION.

NOTIFY ALL UTILITIES 72 HOURS PRIOR TO CONSTRUCTION ACTIVITY.
ONE CALL SYSTEM © 1-800-227-6477

GLUCKSTADT, MS

MADISON COUNTY



FILE NAME	F&B-001		
PROJECT CITY	GLUCKSTADT, MS		
FULL FILENAME	F&B-001.dwg		
DATE	08-10-21	DESCRIPTION	CONSTRUCTION
SHEET	001	DRAWN BY	D.SANDERS
SCALE	1"=50'	PAGE	001

REVISIONS			
REV.	DESCRIPTION	INITIALS	DATE

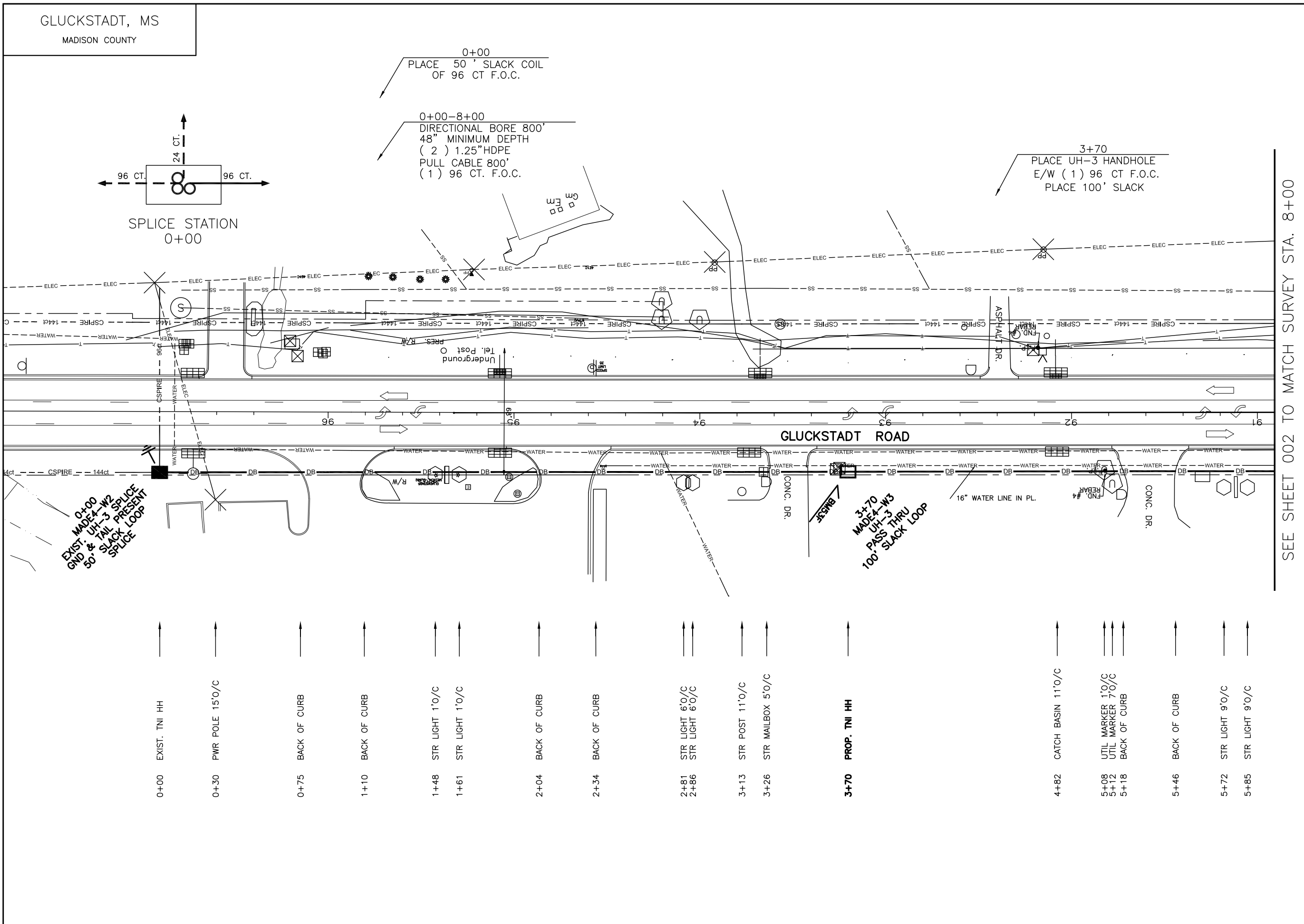
MATERIAL LIST		
ITEM	DESCRIPTION	QUANTITY
1	TOTAL CABLE FT.	950'
2	DIR-BORE CABLE	800'
3	PULL CABLE	0'
4	BURIED SLACK	150'
5	1.25" HDPE	1600'
6	5" HDPE CASING	0'
7	HANDHOLES	1
8	MANHOLES	0
9	SPLICE CLOSURE	1
10	H-POSTS	0
11	GROUND RODS	0
12	AERIAL CABLE	0'
13	RISERS	0
14		

PREPARED BY
 cspire

PREPARED FOR
 cspire

MAP NUMBER	
001	002

DISCLAIMER
 EXCEPT AS MAY BE OTHERWISE PROVIDED BY CONTRACT, THESE DRAWINGS AND SPECIFICATIONS SHALL REMAIN THE PROPERTY OF CSPIRE FIBER. BEING ISSUED IN STRICT CONFIDENCE AND SHALL NOT BE REPRODUCED, COPIED, OR USED FOR ANY PURPOSE WITHOUT SPECIFIC WRITTEN PERMISSION.



0+00	EXIST. TNI HH
0+30	PWR POLE 15'0/C
0+75	BACK OF CURB
1+10	BACK OF CURB
1+48	STR LIGHT 1'0/C
1+61	STR LIGHT 1'0/C
2+04	BACK OF CURB
2+34	BACK OF CURB
2+81	STR LIGHT 6'0/C
2+86	STR LIGHT 6'0/C
3+13	STR POST 11'0/C
3+26	STR MAILBOX 5'0/C
3+70	PROP. TNI HH
4+82	CATCH BASIN 11'0/C
5+08	UTIL MARKER 1'0/C
5+12	UTIL MARKER 7'0/C
5+18	BACK OF CURB
5+46	BACK OF CURB
5+72	STR LIGHT 9'0/C
5+85	STR LIGHT 9'0/C

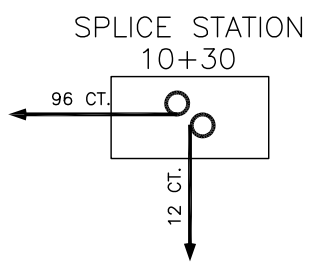
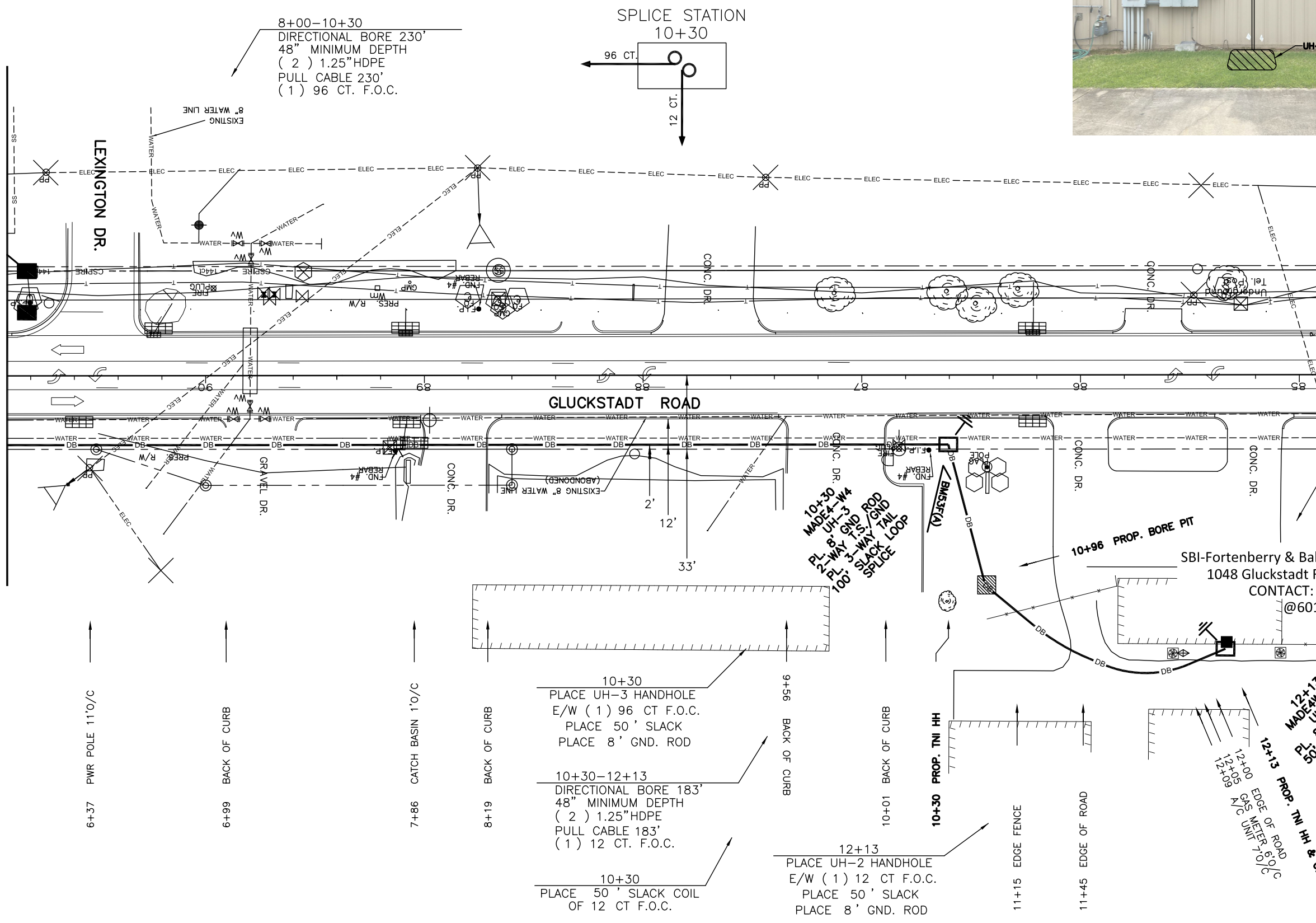
0+00
 EXIST. UH-3 W2
 GND & TAIL PRESENT
 50' SLACK LOOP
 SPLICE

3+70
 MADE 4-W3
 UH-3
 PASS THRU
 100' SLACK LOOP

NOTIFY ALL UTILITIES 72 HOURS PRIOR TO CONSTRUCTION ACTIVITY.
 ONE CALL SYSTEM © 1-800-227-6477



SEE SHEET 001 TO MATCH SURVEY STA. 8+00



8+00-10+30
DIRECTIONAL BORE 230'
48" MINIMUM DEPTH
(2) 1.25" HDPE
PULL CABLE 230'
(1) 96 CT. F.O.C.

12+13
PLACE 10' SLACK COIL
OF 12 CT F.O.C.
AT THE TOP OF THE ONT

SBI-Fortenberry & Ballard PC Madison-12009964
1048 Gluckstadt Rd, Madison, MS 39110
CONTACT: BRENT BALLARD
@601-946-2976

10+30
PLACE UH-3 HANDHOLE
E/W (1) 96 CT F.O.C.
PLACE 50' SLACK
PLACE 8' GND. ROD

10+30-12+13
DIRECTIONAL BORE 183'
48" MINIMUM DEPTH
(2) 1.25" HDPE
PULL CABLE 183'
(1) 12 CT. F.O.C.

10+30
PLACE 50' SLACK COIL
OF 12 CT F.O.C.

12+13
PLACE UH-2 HANDHOLE
E/W (1) 12 CT F.O.C.
PLACE 50' SLACK
PLACE 8' GND. ROD

10+30
MADE-A-WAY
UH-3
PL. 8' GND. ROD
PL. 2-WAY F.S./GND
100' 3-WAY TAIL
SLACK LOOP

12+13
MADE-A-WAY-N1
PL. 8' GND. ROD
50' SLACK LOOP

12+00
GAS METER 7.0" O/C
C/C UNIT

12+00
EDGE OF ROAD
12+00
EDGE OF ROAD

FILE NAME F&B-002

PROJECT CITY - GLUCKSTADT, MS

FULL FILENAME
F&B-002.dwg

DATE 08-10-21	DESCRIPTION CONSTRUCTION
SHEET 002	DRAWN BY D.SANDERS
SCALE 1"=50'	PAGE 002

REVISIONS

REV.	DESCRIPTION	INITIALS	DATE

MATERIAL LIST

ITEM	DESCRIPTION	QUANTITY
1	TOTAL CABLE FT.	1373'
2	DIR-BORE CABLE	1213'
3	PULL CABLE	0'
4	BURIED SLACK	160'
5	1.25" HDPE	2426'
6	5" HDPE CASING	0'
7	HANDHOLES	2
8	MANHOLES	0
9	SPLICE CLOSURE	1
10	H-POSTS	0
11	GROUND RODS	2
12	AERIAL CABLE	0'
13	RISERS	0
14		

PREPARED BY

PREPARED FOR

MAP NUMBER

001	002
-----	-----

DISCLAIMER
EXCEPT AS MAY BE OTHERWISE PROVIDED BY CONTRACT, THESE DRAWINGS AND SPECIFICATIONS SHALL REMAIN THE PROPERTY OF CSPIRE FIBER. BEING ISSUED IN STRICT CONFIDENCE AND SHALL NOT BE REPRODUCED, COPIED, OR USED FOR ANY PURPOSE WITHOUT SPECIFIC WRITTEN PERMISSION.

NOTIFY ALL UTILITIES 72 HOURS PRIOR TO CONSTRUCTION ACTIVITY.
ONE CALL SYSTEM © 1-800-227-6477